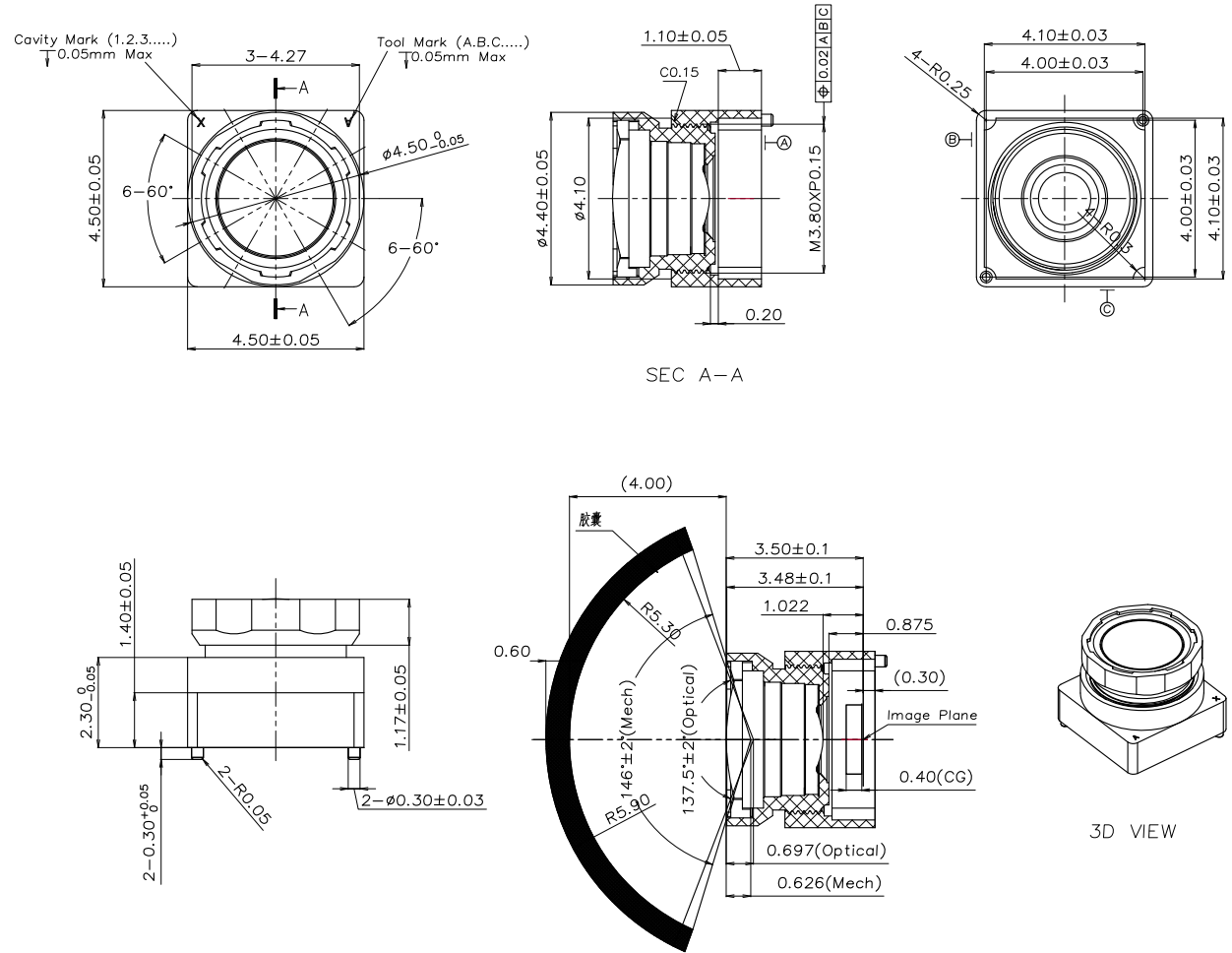


U1305A-0101 SPECIFICATION

No.	ITEM	CONTENT				
1	SENSOR	1/7.5"(CSP)				
2	SENSOR SIZE	1.482mm(H) x1.482mm(V)x2.1mm(D)				
3	STRUCTURE	2 ELEMENTS(2P)				
4	TOTAL LENGTH	3.50±0.1mm(0.4mm Cover Glass)				
5	E.F.L	0.58±5%				
6	B.F.L	1.007mm(30mm)	0.4mm Cover Glass			
		1.022mm(8mm)				
7	F.B.L	0.86mm(30mm)	0.4mm Cover Glass			
		0.875mm(8mm)				
8	F/No.	3.0±5%				
9	F.O.V	VERTICAL	108° (2Y'=1.44mm)			
		HORIZONTAL	108° (2Y'=1.44mm)			
		DIAGONAL	137.5° (2Y'=2.0mm)			
10	OPTICAL DISTORTION	<-35%				
11	TV DISTORTION	<-10.5%				
12	RELATIVE ILLUMINATION	>60%(Y'=1.0mm)				
13	MAX IMAGE CIRCLE	φ2.12mm				
14	THREAD	M3.8XP0.15				
15	IR-CUT COATING FILTER	/				
16	BARREL MATERIAL	PC+10%GF(BLACK)				
17	HOLDER MATERIAL	PC121R(BLACK)				
18	CHIEF RAY ANGLE					
	Y'(mm)	0.10	0.20	0.30	0.40	0.50
	Angle	6.9°	13.6°	20°	25.7°	29.8°



				MATERIAL:		Nd	Co. NAME:			
				/		Vd	HR			
				RoHS:		DATE:		PART NAME:		
				PARTS MUST BE ROHS COMPLIANT		2016.05.05		MECH_SPEC		
				DESIGN		DRAWN		PROJECT NAME:		
								U1305		
				CHECKED		APPR.		PART NO.:		
								U1305A-0101		
								SCALE	SHEET	REV.
								1:1	1/1	AO